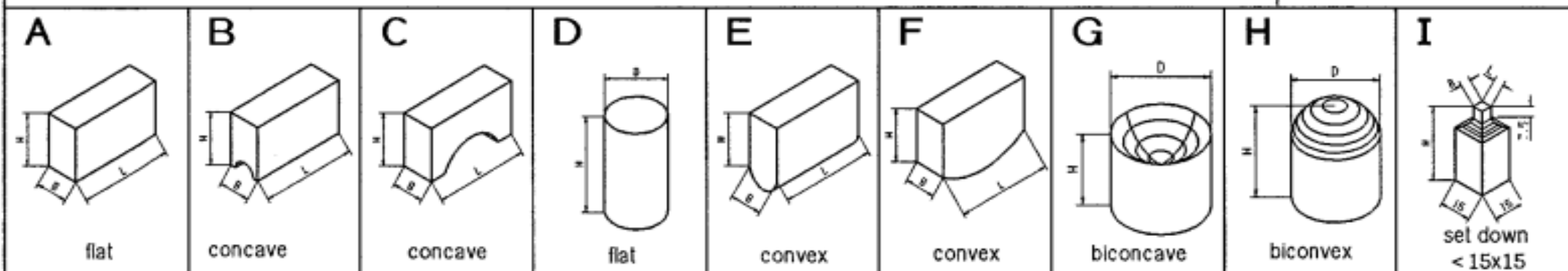


Form to order suitable carbon stamps



Standard sizes: in mm		(B) W = 15					H = 25							stamp connect :
L	15 .800	20 .801	25 .811	30 .802	35 .803	40 .804	45 .805	50 .806	55 .807	60 .808	80 .809	100 .810	manual stamp: <i>H</i>	

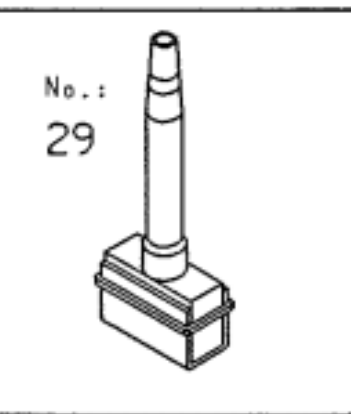
Company: _____ Division: _____

Pcs.	No.:	L/D	W	H	shape	part.∅	stamp connect	Note:

example for standard stamps: **34.806 C 8**
carbon stamp / 50x15x25mm / shape C / concave f. ∅ 8mm

example for special dimensions: **50x35x30 B 10 H**
50x35x30mm / shape B / concave f. ∅ 10mm / manual stamp

S schilling
In Grubenaeker 1 D-78532 Tuttlingen
Tel.: +49 (0) 7461/9472-0 Fax. 9472-20
eMail: info@marking-systems.de



carbon stamp: *M*

