

Dokumentation

MK3

Explosionszeichnungen

und

Stücklisten

Stand 27.07.2004



Documentation



MK3



Explosionsdrawings

and



Partlists



actualised 27.07.2004



Schilling Marking Systems GmbH
In Grubenaeker 1 D-78532 Tuttlingen



++49 (0)7461 9472-0



++49 (0)7461 9472-20



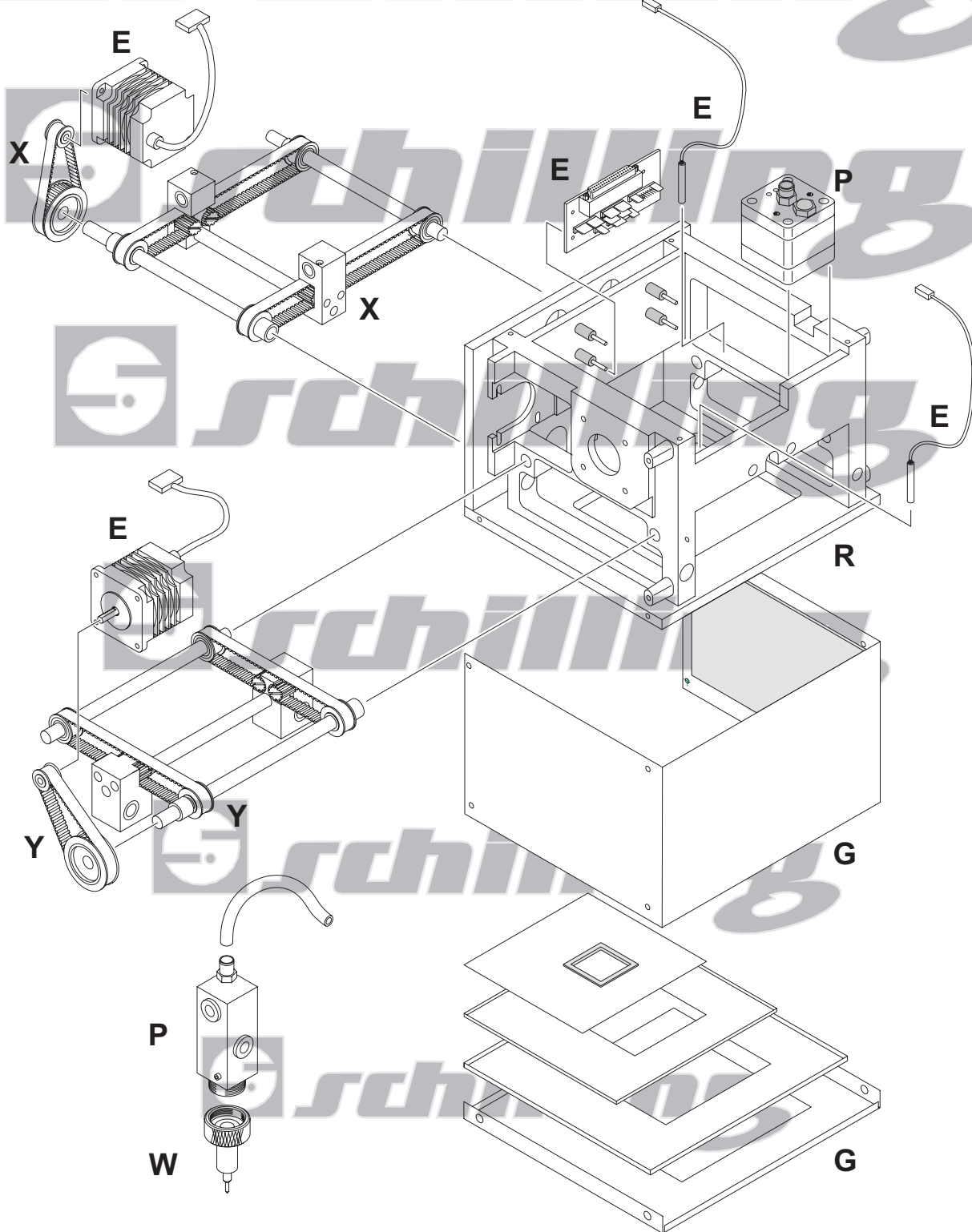
www.marking-systems.de
info@marking-systems.de



schilling

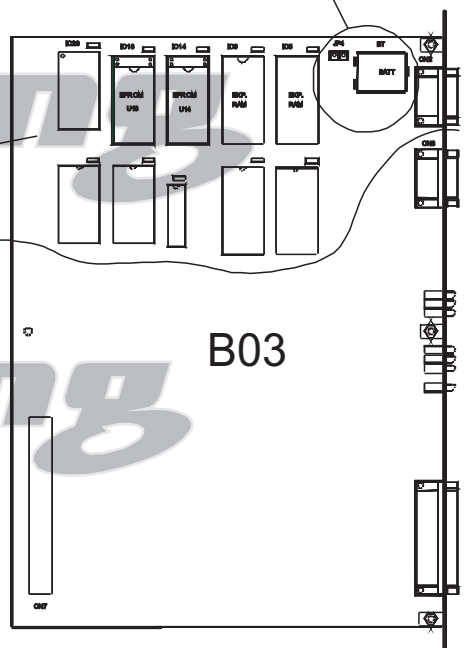
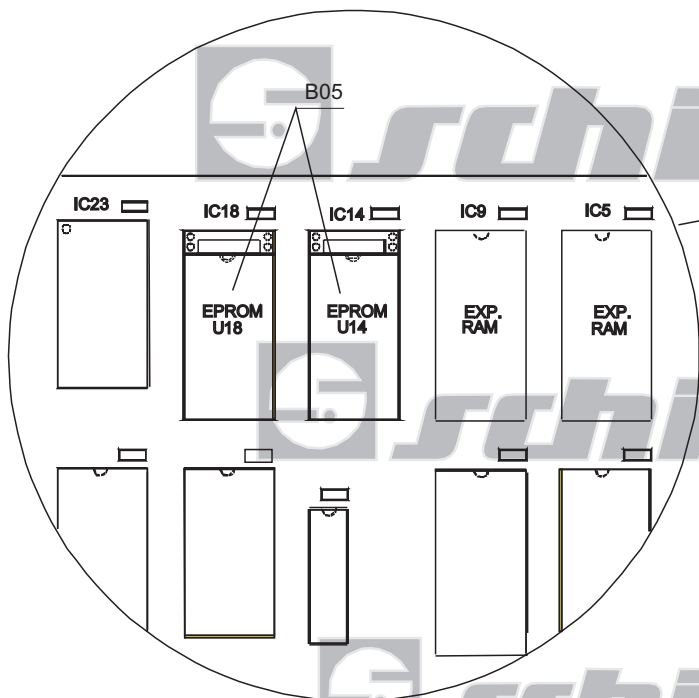
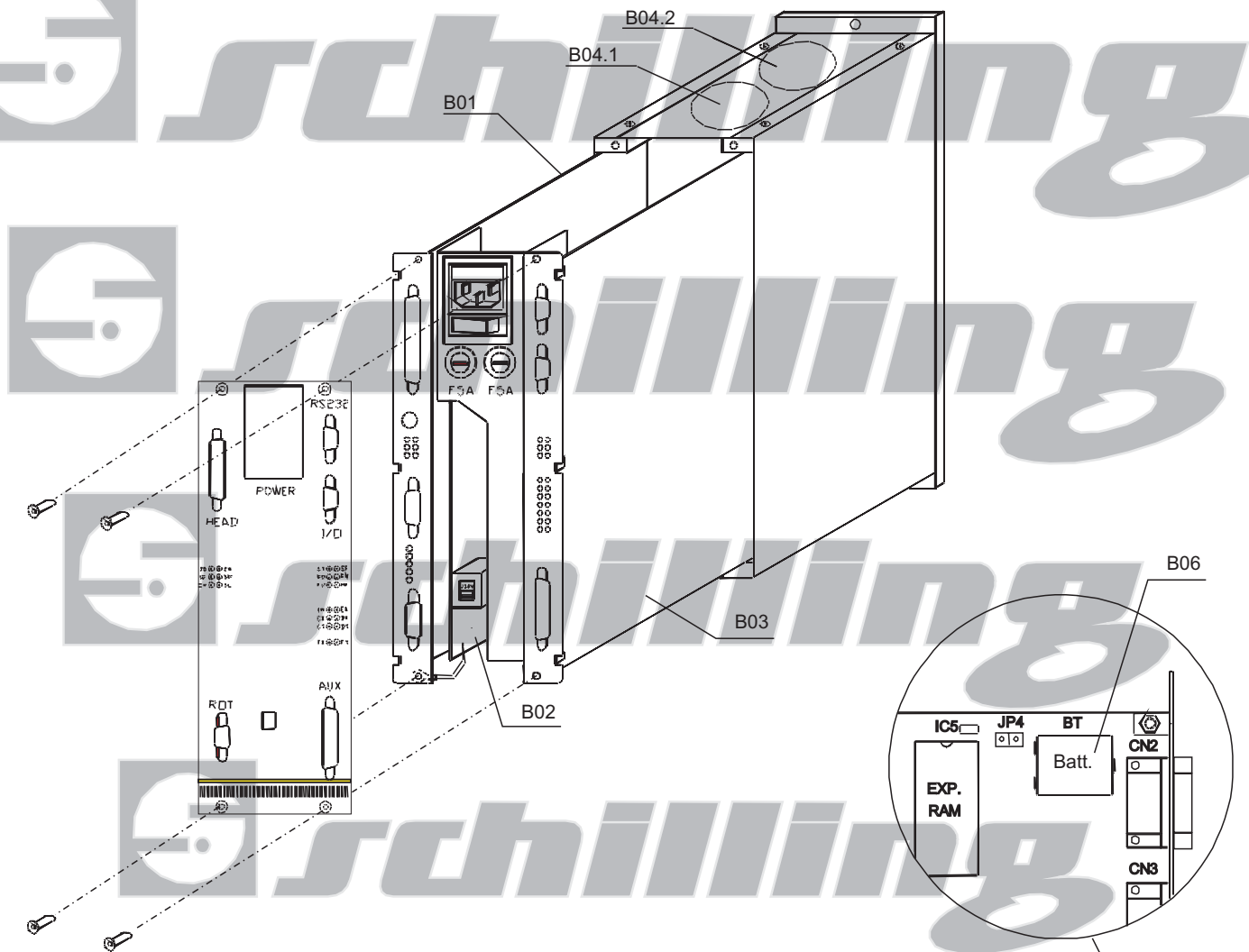


schilling





Schilling



Schilling

B



Schilling

Schilling



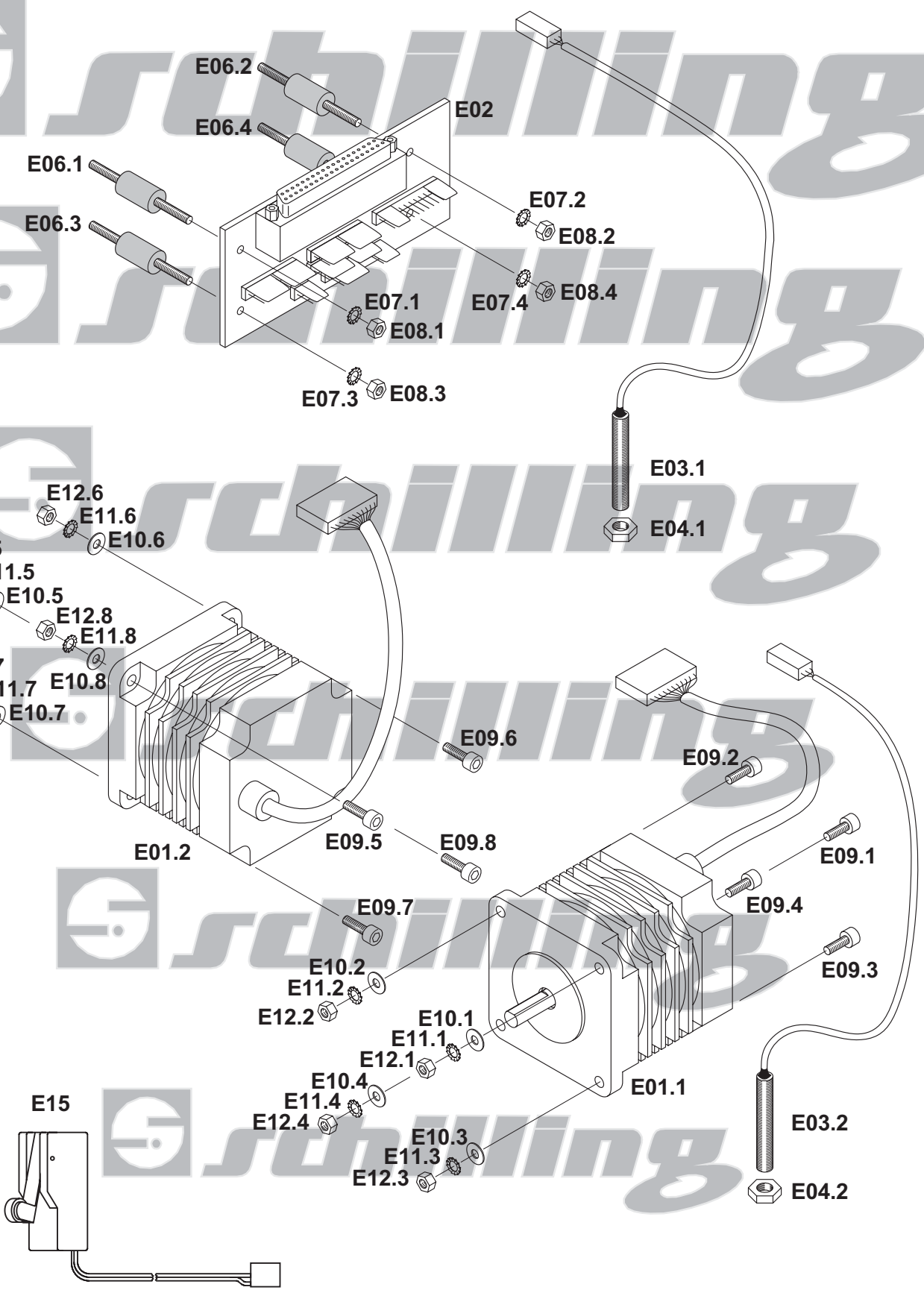
Schilling

Schilling

Schilling

Schilling

Schilling



E



Schilling



Schilling



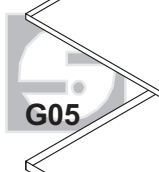
Schilling



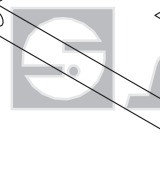
Schilling



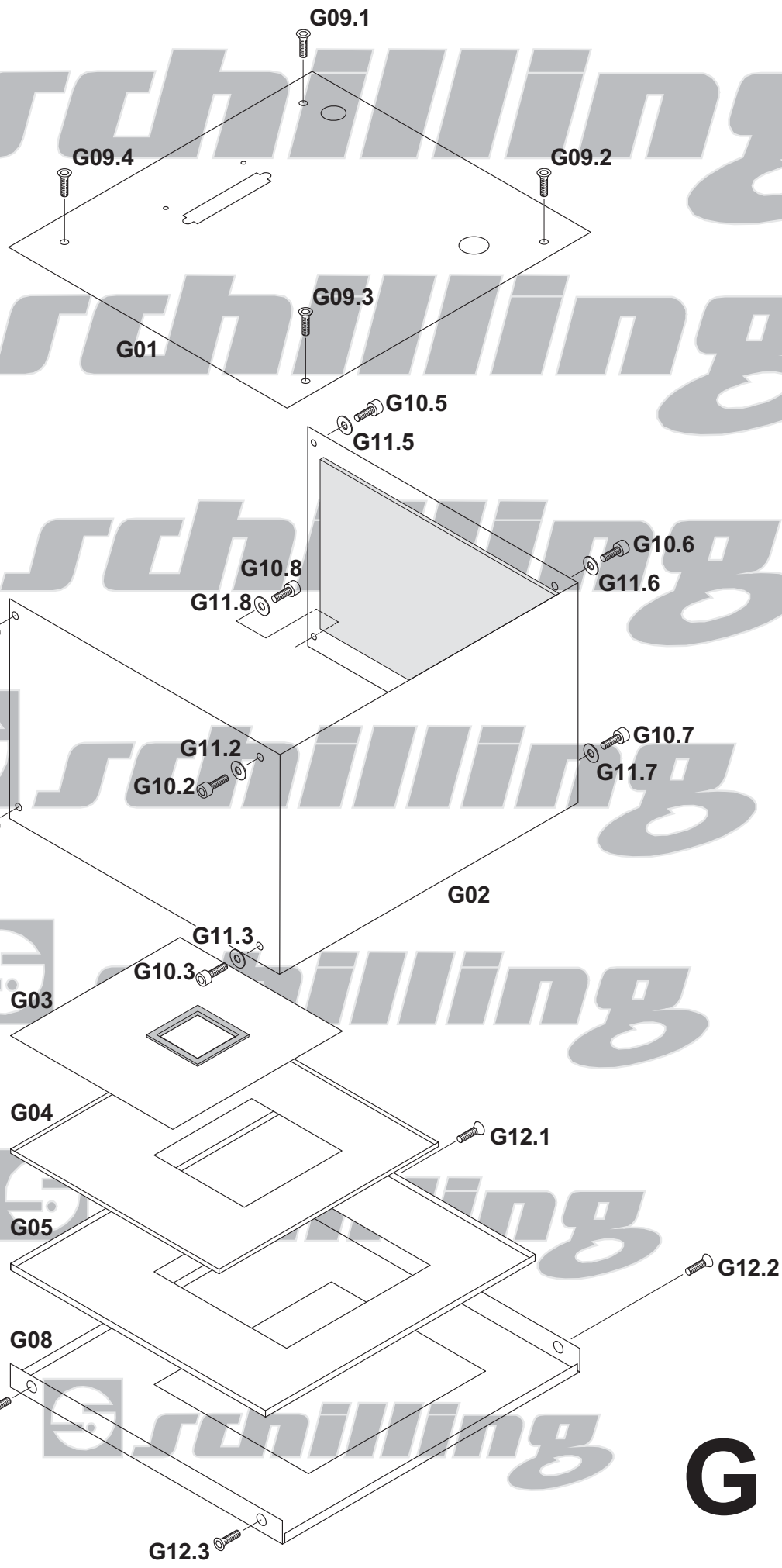
Schilling



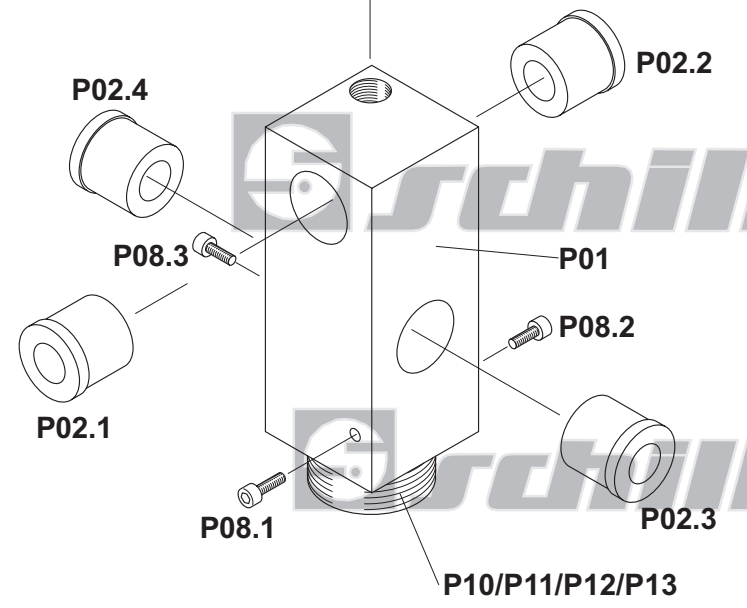
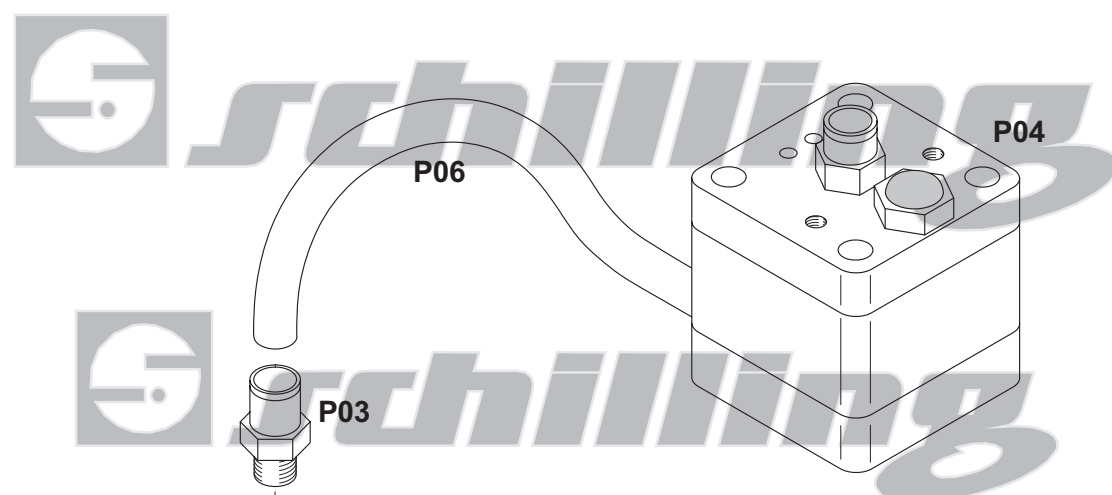
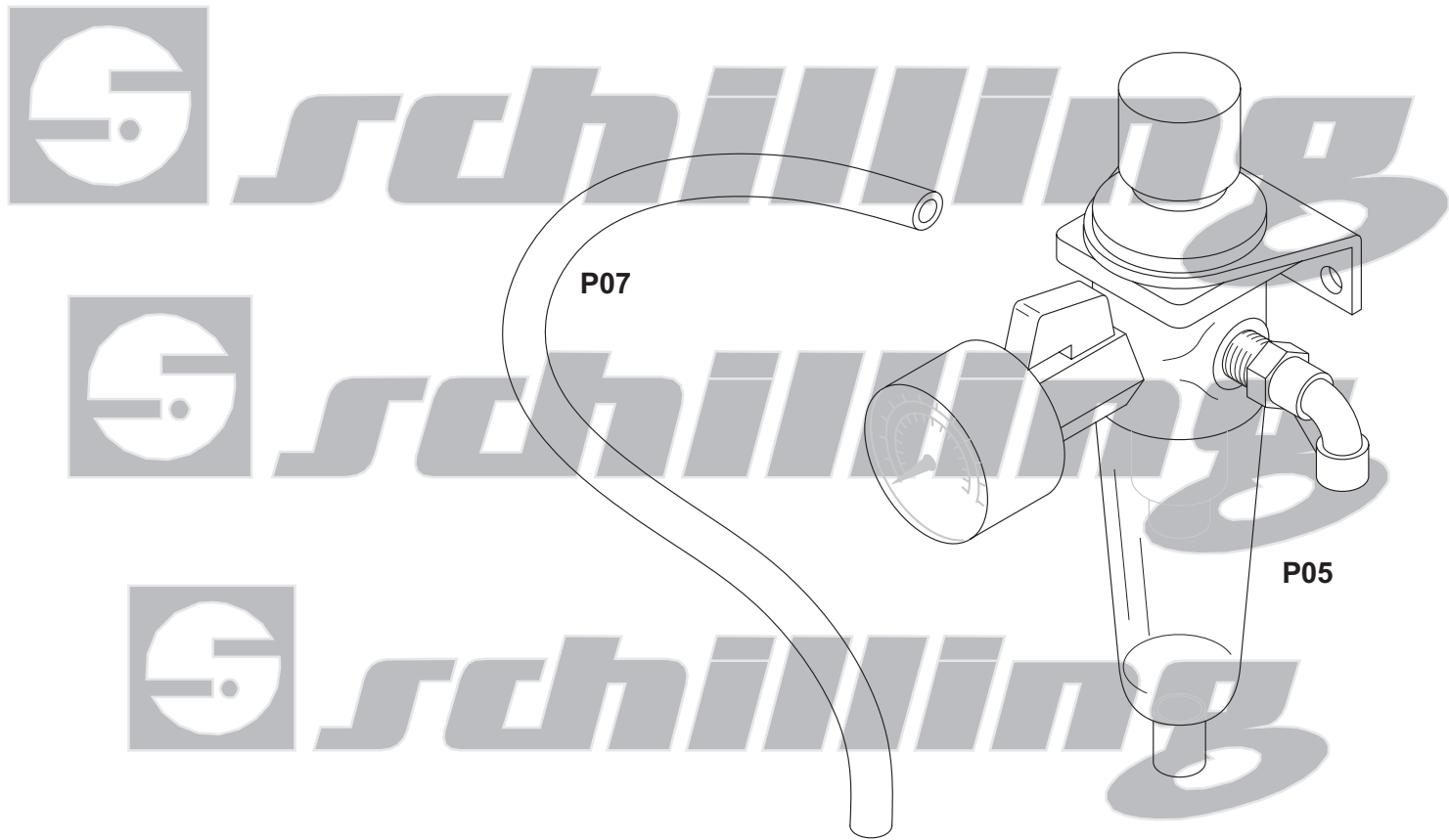
Schilling



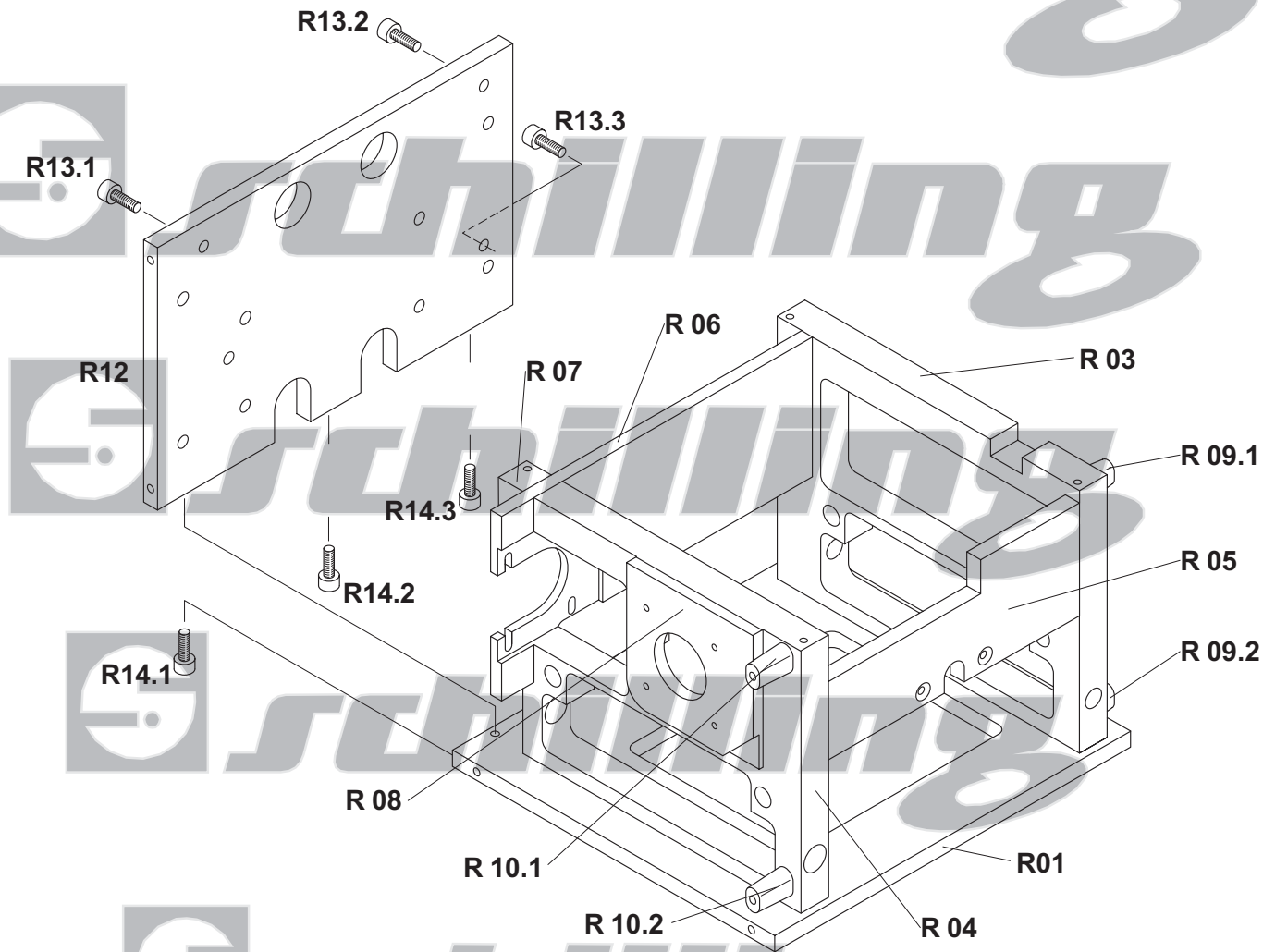
Schilling



G




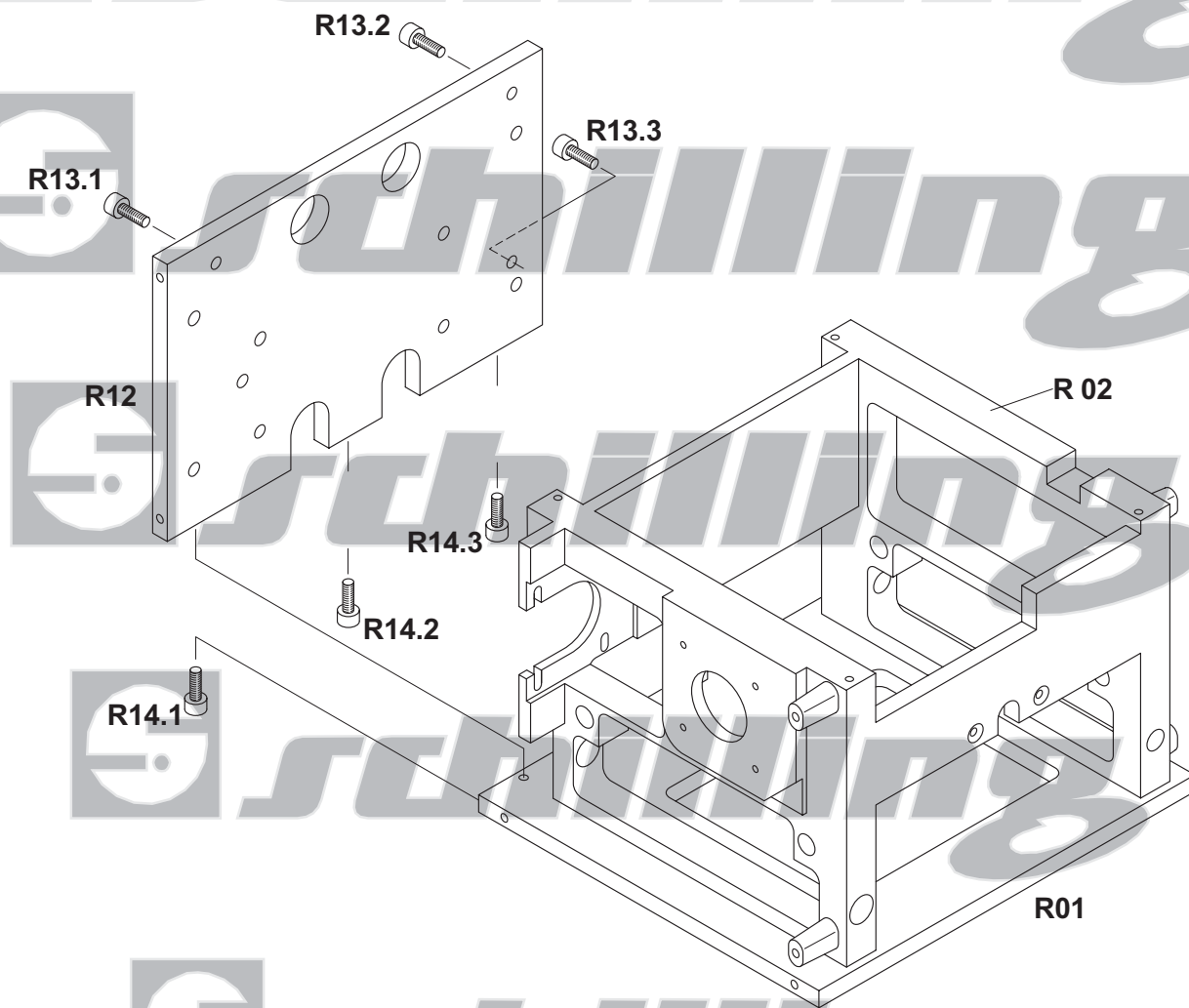
P




R1

 *schilling*

 *schilling*



 *schilling*

 *schilling*

 *schilling*

 *schilling*

R2

W304

W302

W309

W303

W305

W308

W307

W306.1

W301.1

W604

W603

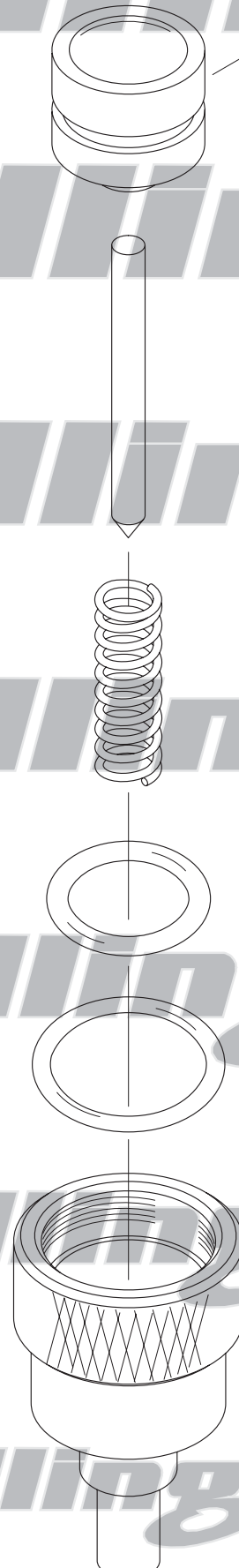
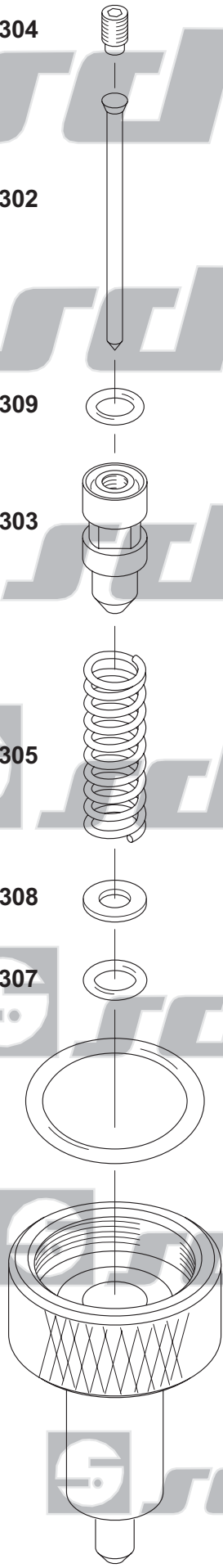
W602

W605

W607

W606

W601



W 1

Auslauftyp

W309

W310

W305

W308

W307

W306.1

W301.1

W610

W605

W607

W606

W601

 schilling

W 2

Auslauftyp

W309

W310

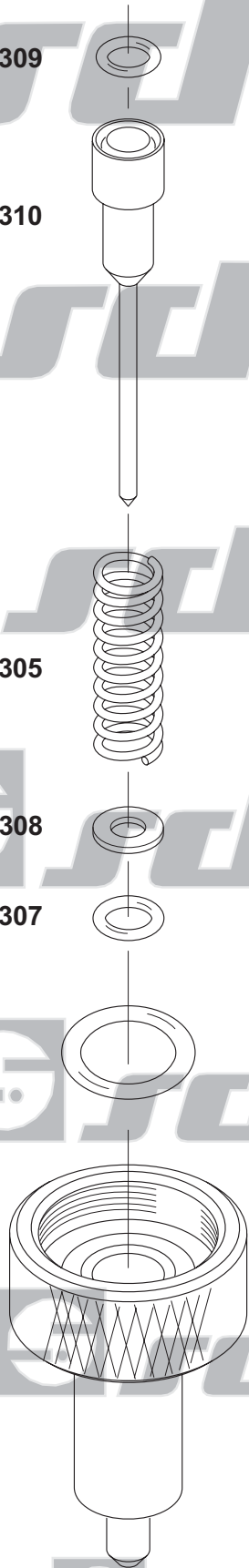
W305

W308

W307

W306.2

W301.2



W 3

Auslauftyp

W304

W302.S

W309.S

W303.S

W305.S

W308

W307.S

W306.S

W301.S

W604

W603.S

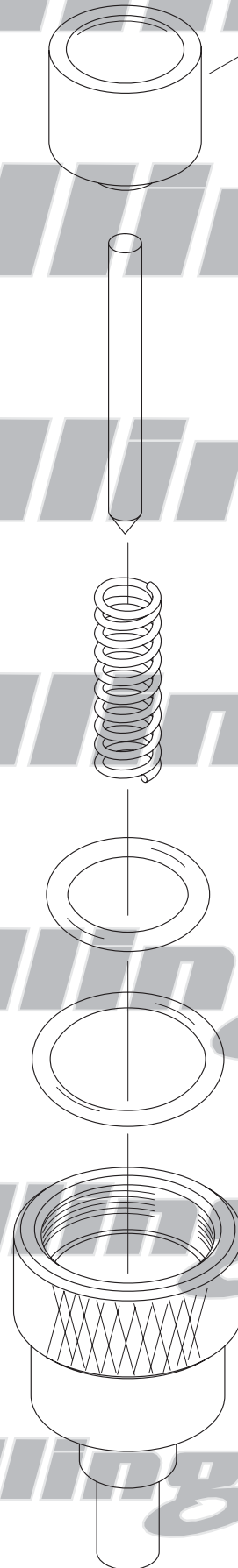
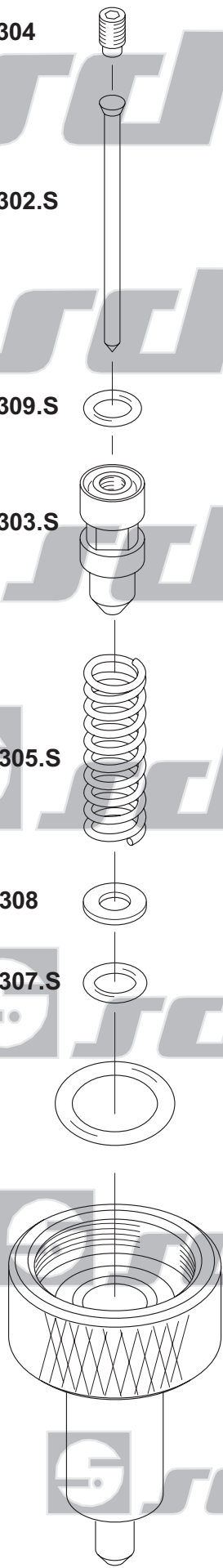
W602.S

W605.S

W607.S

W606.S

W601.S



W S

W304



W302.S



W309.S



W303.L



W305.L



W308



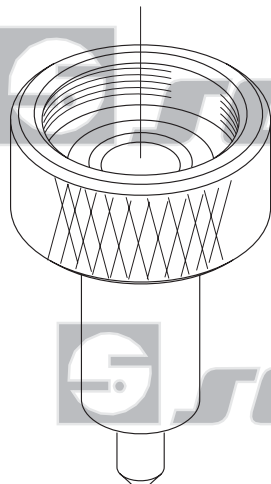
W307.S



W306.S



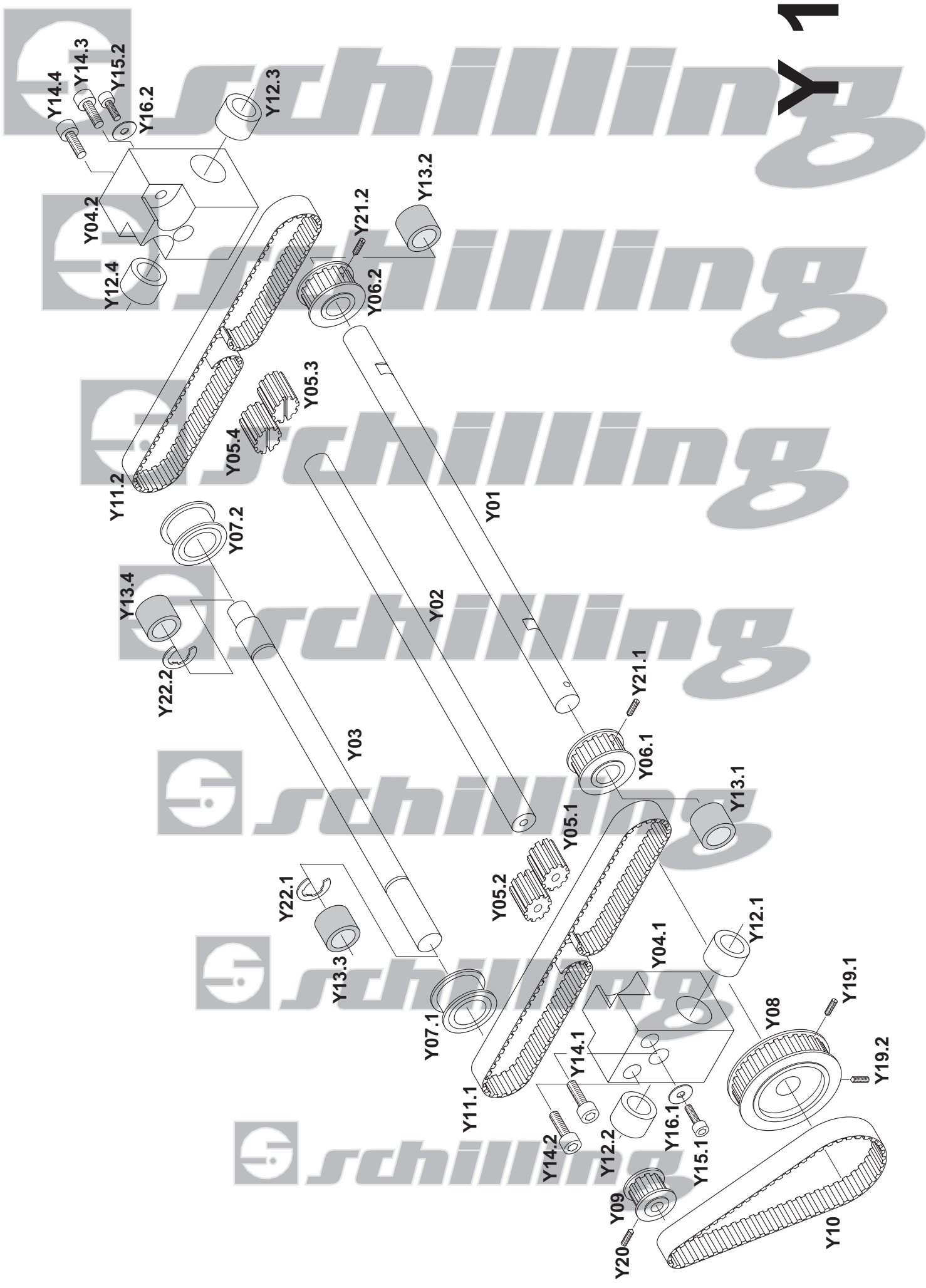
W301.S



W L

X2





Y11



Y 2