

# Dokumentation

## MK3

# Explosionszeichnungen

und

# Stücklisten

Stand 27.07.2004



Schilling Marking Systems GmbH  
Föhrenstr. 47 D - 78532 Tuttlingen



++49 (0)7461 9472-0



++49 (0)7461 9472-20



[www.marking-systems.de](http://www.marking-systems.de)  
[info@marking-systems.de](mailto:info@marking-systems.de)



# Documentation



## MK3



## Explosionsdrawings

and



## Partlists



actualised 27.07.2004



Schilling Marking Systems GmbH  
Föhrenstr. 47 D - 78532 Tuttlingen



++49 (0)7461 9472-0



++49 (0)7461 9472-20



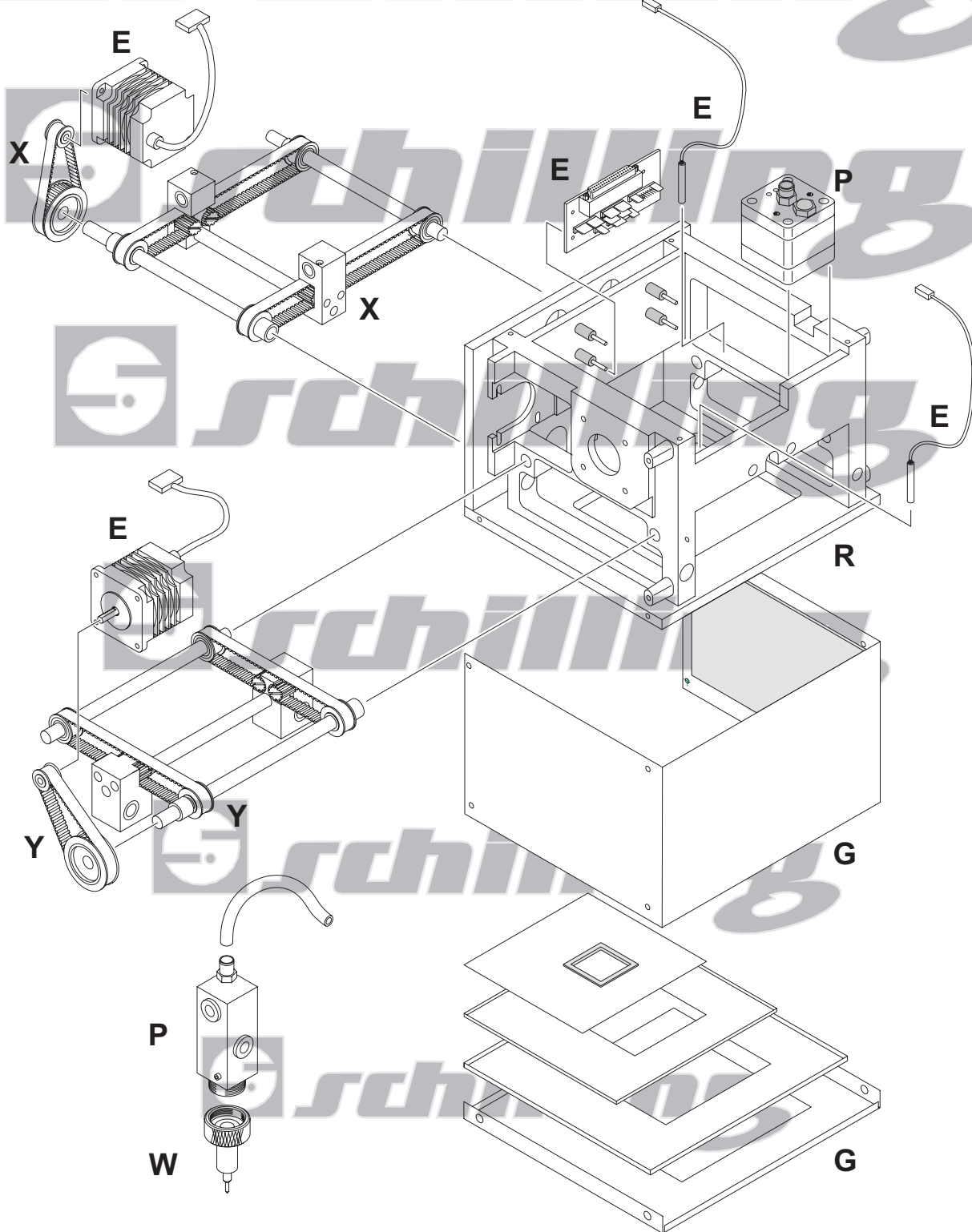
[www.marking-systems.de](http://www.marking-systems.de)  
[info@marking-systems.de](mailto:info@marking-systems.de)



*schilling*

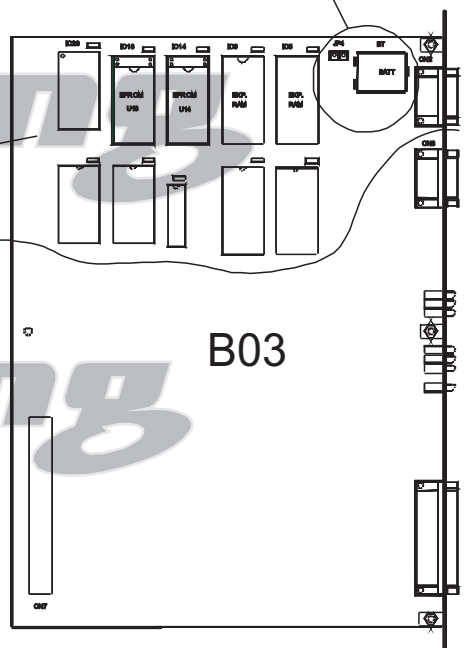
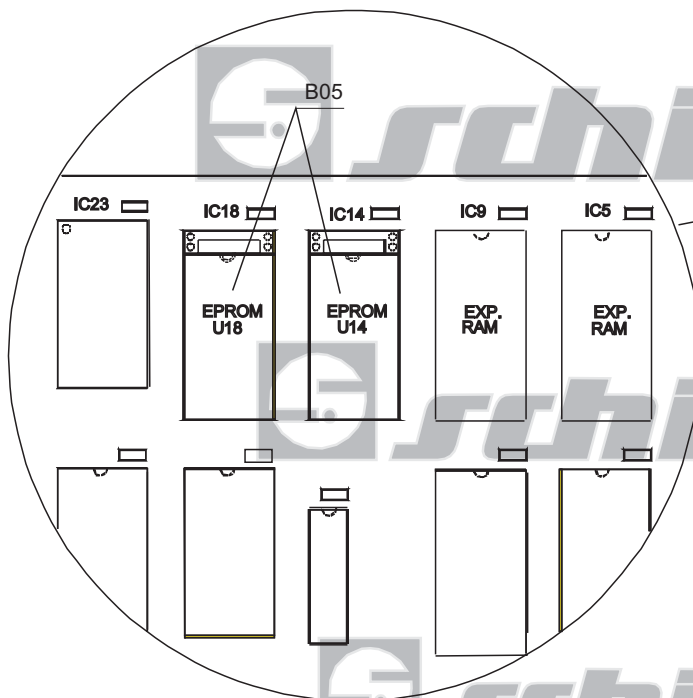
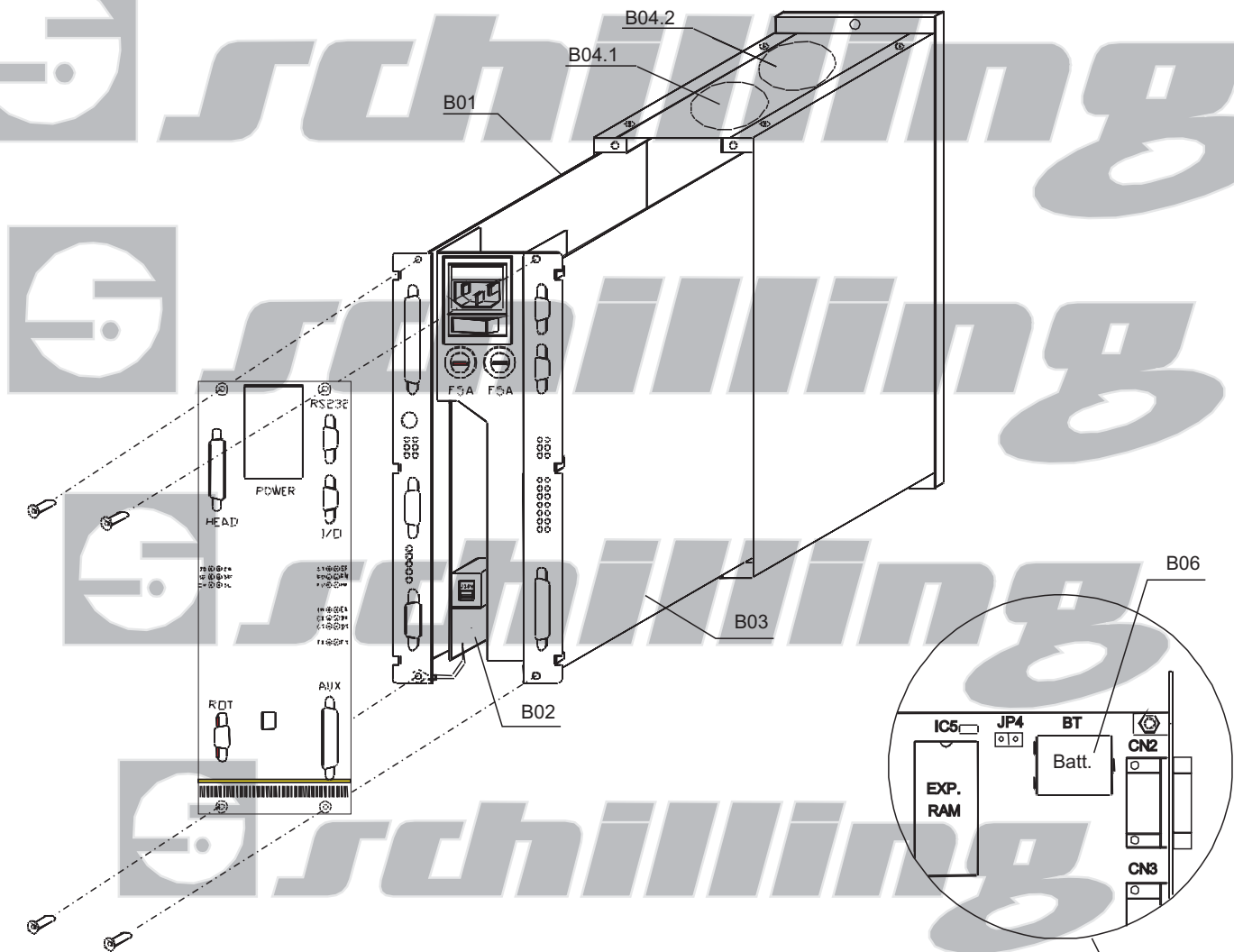


*schilling*





*Schilling*



*Schilling*

**B**



*Schilling*

*Schilling*



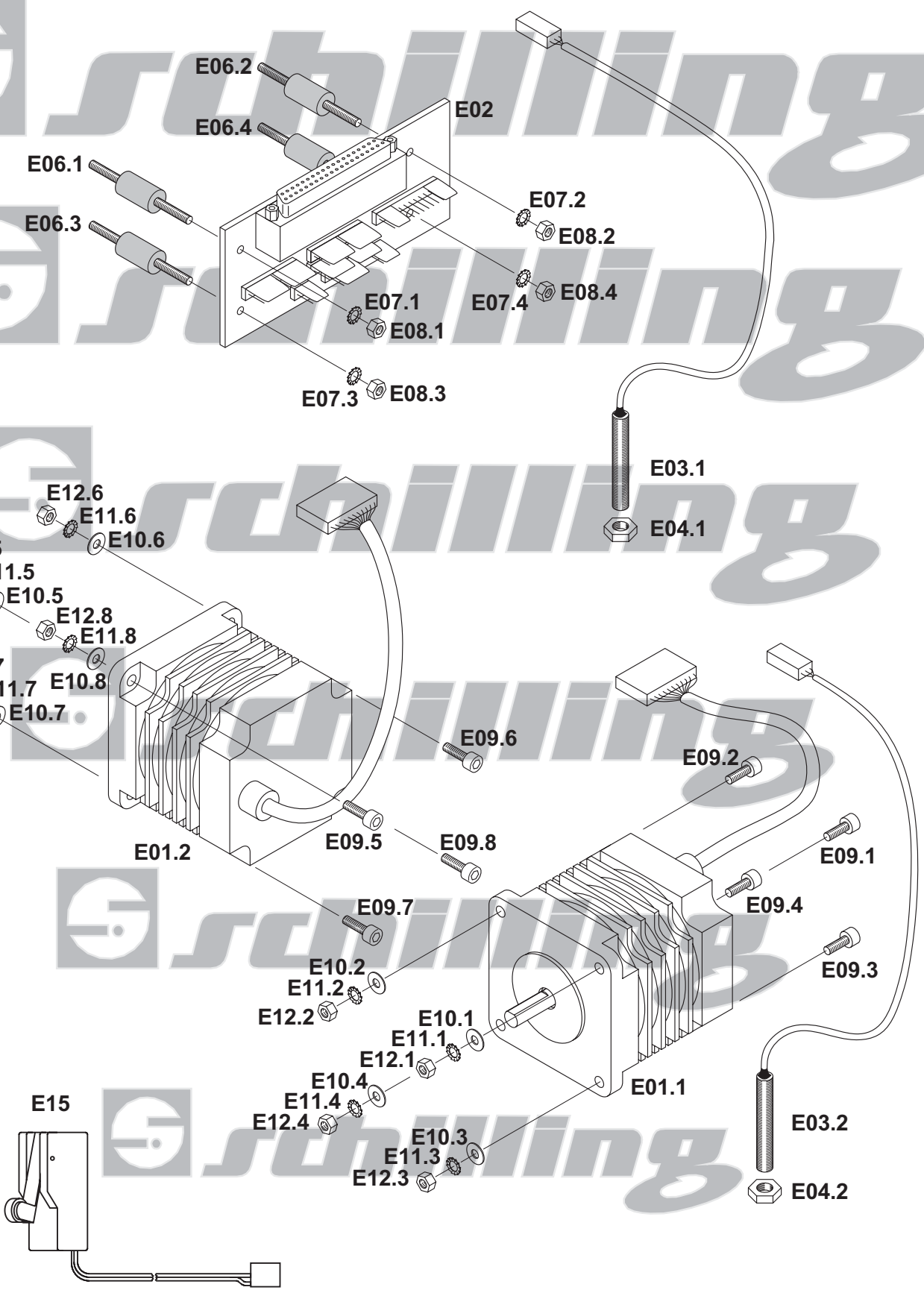
*Schilling*

*Schilling*

*Schilling*

*Schilling*

*Schilling*



**E**



*Schilling*



*Schilling*



*Schilling*



*Schilling*



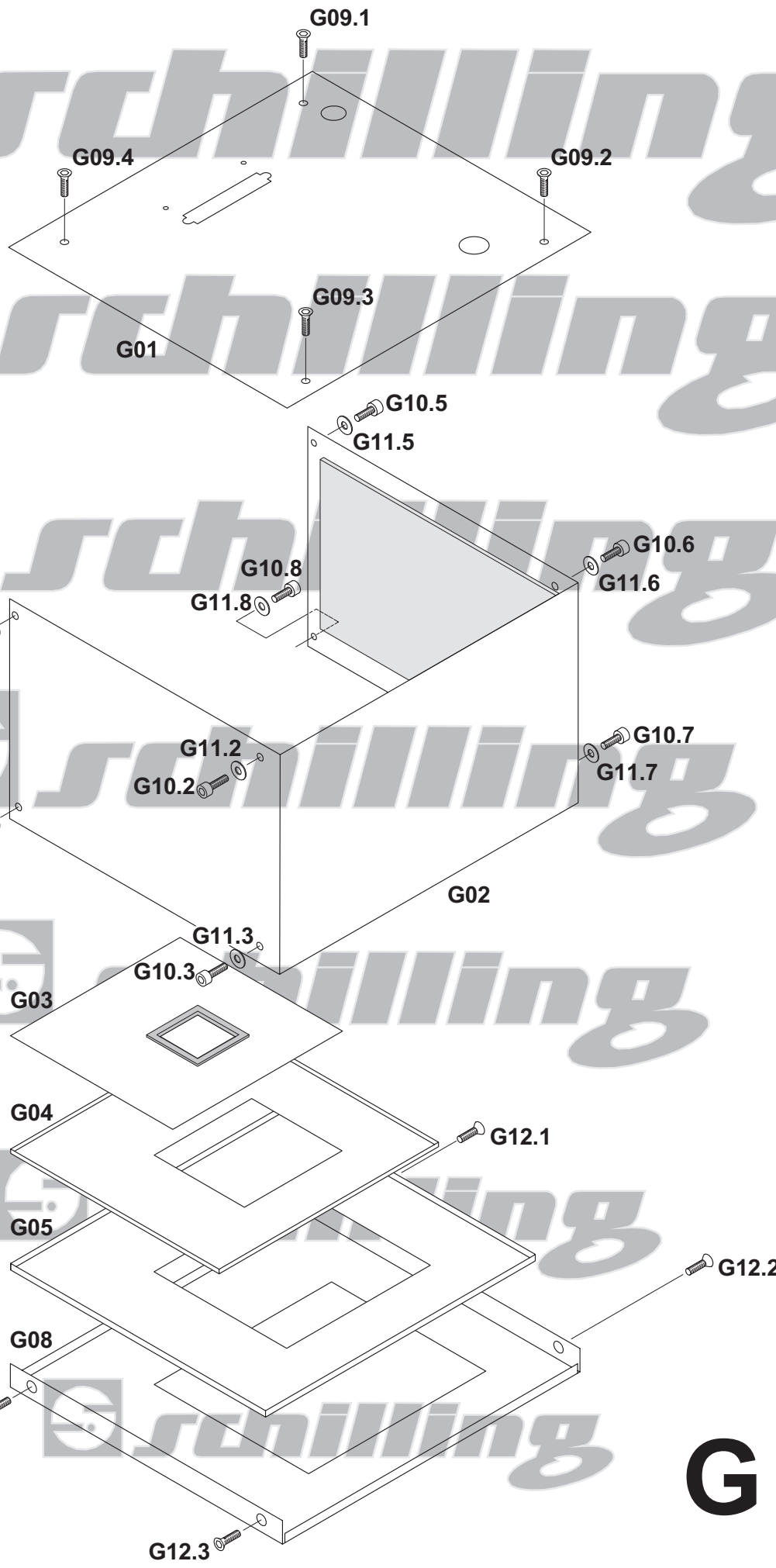
*Schilling*



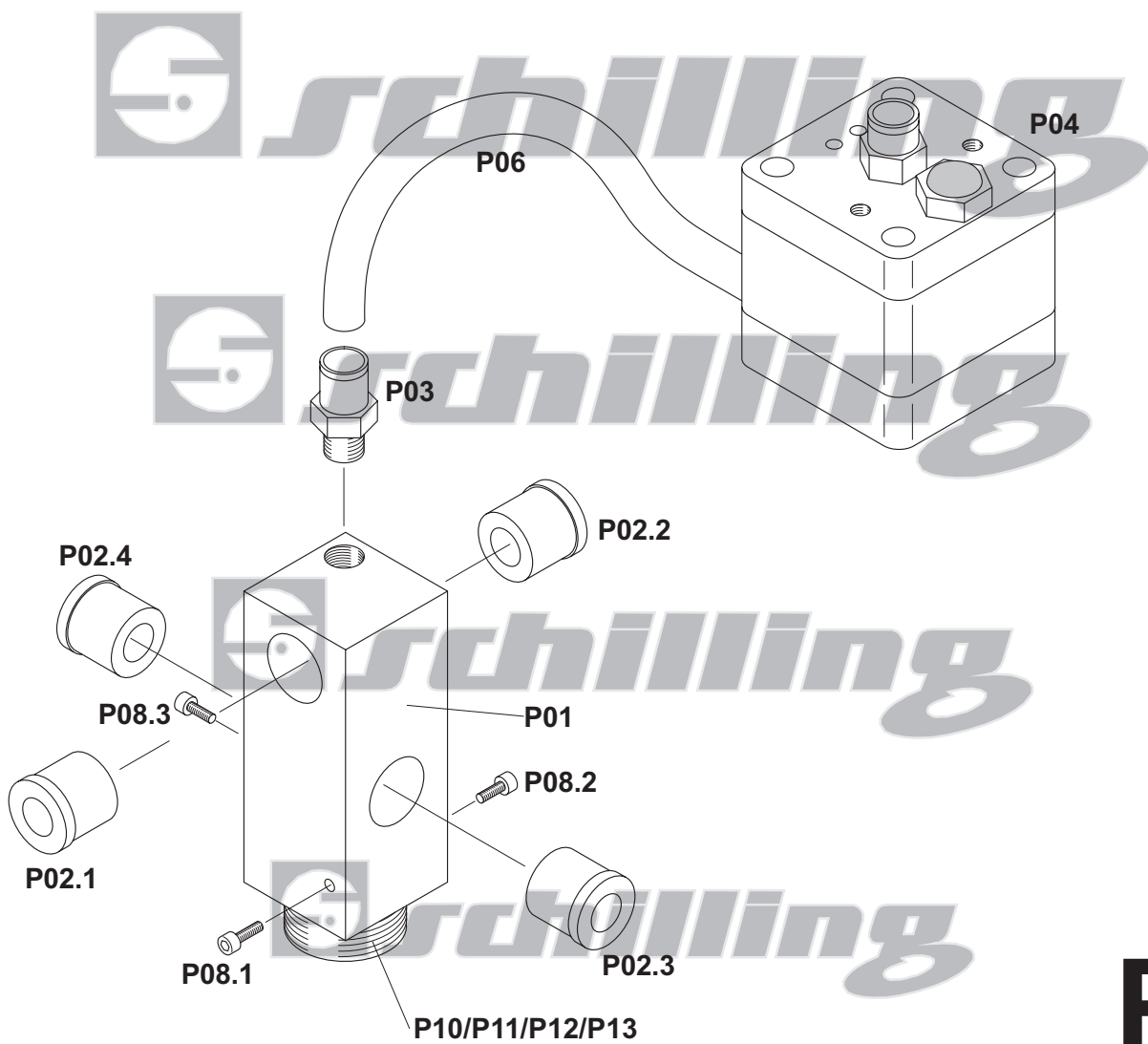
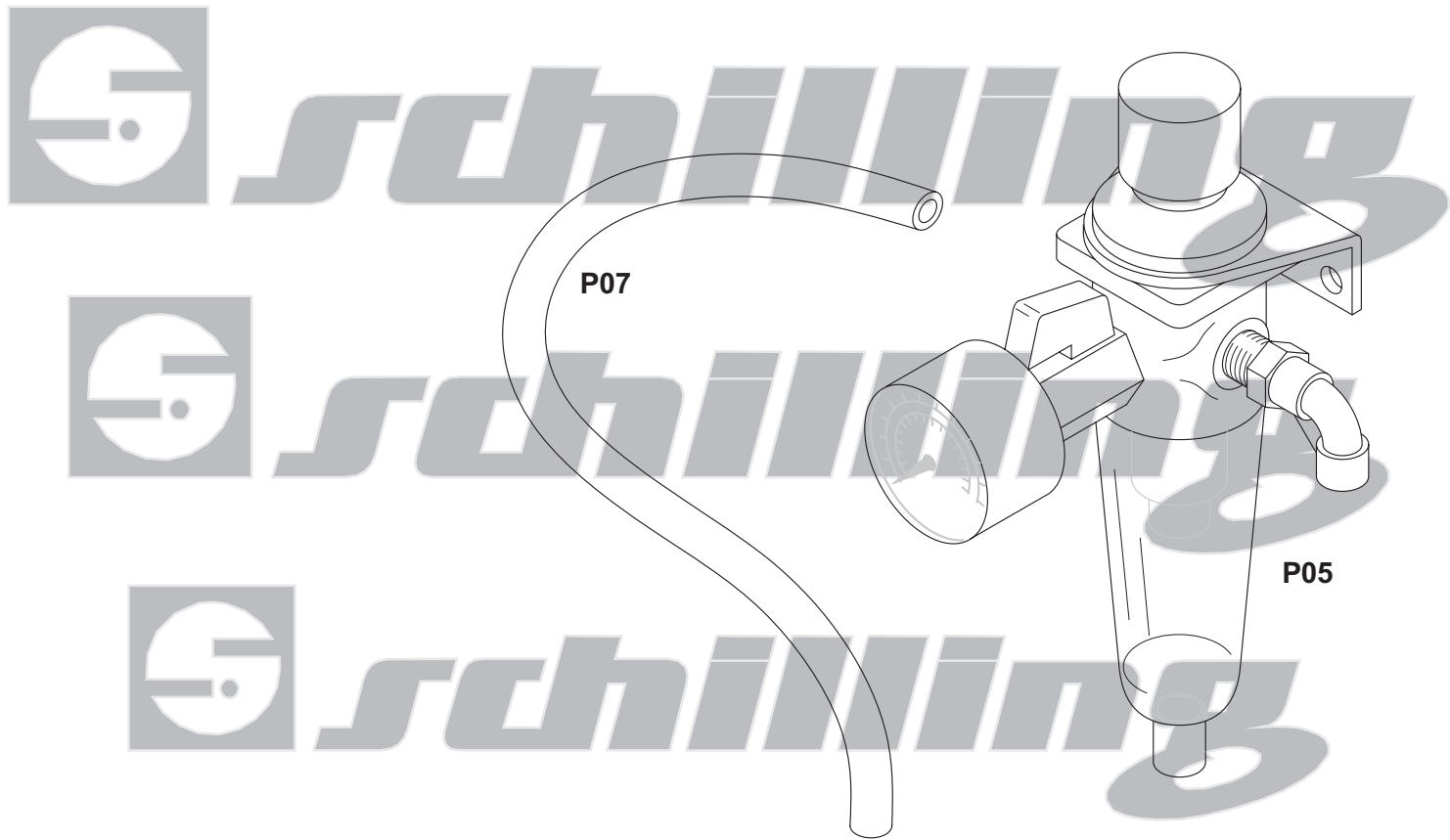
*Schilling*



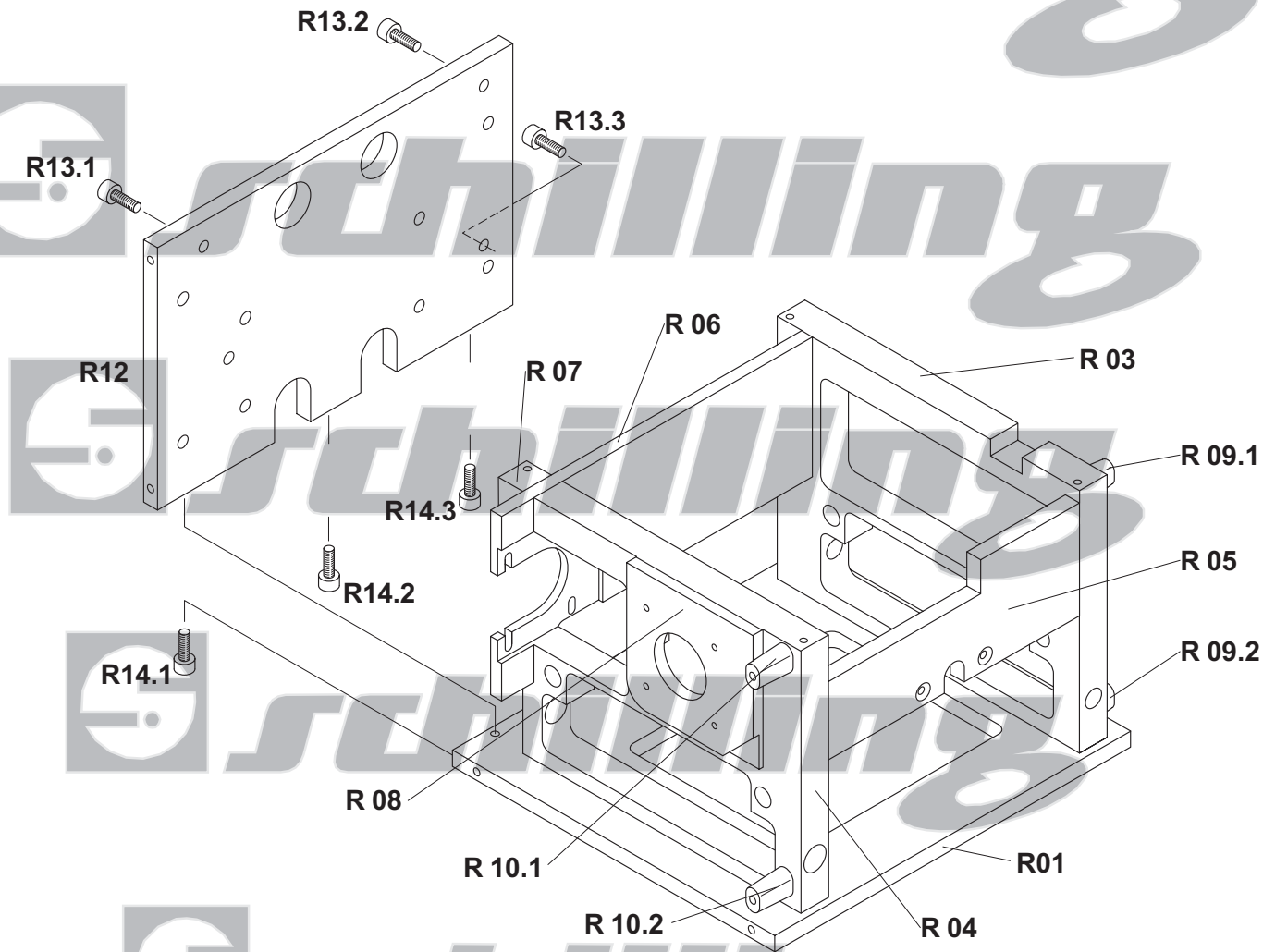
*Schilling*



**G**




**P**

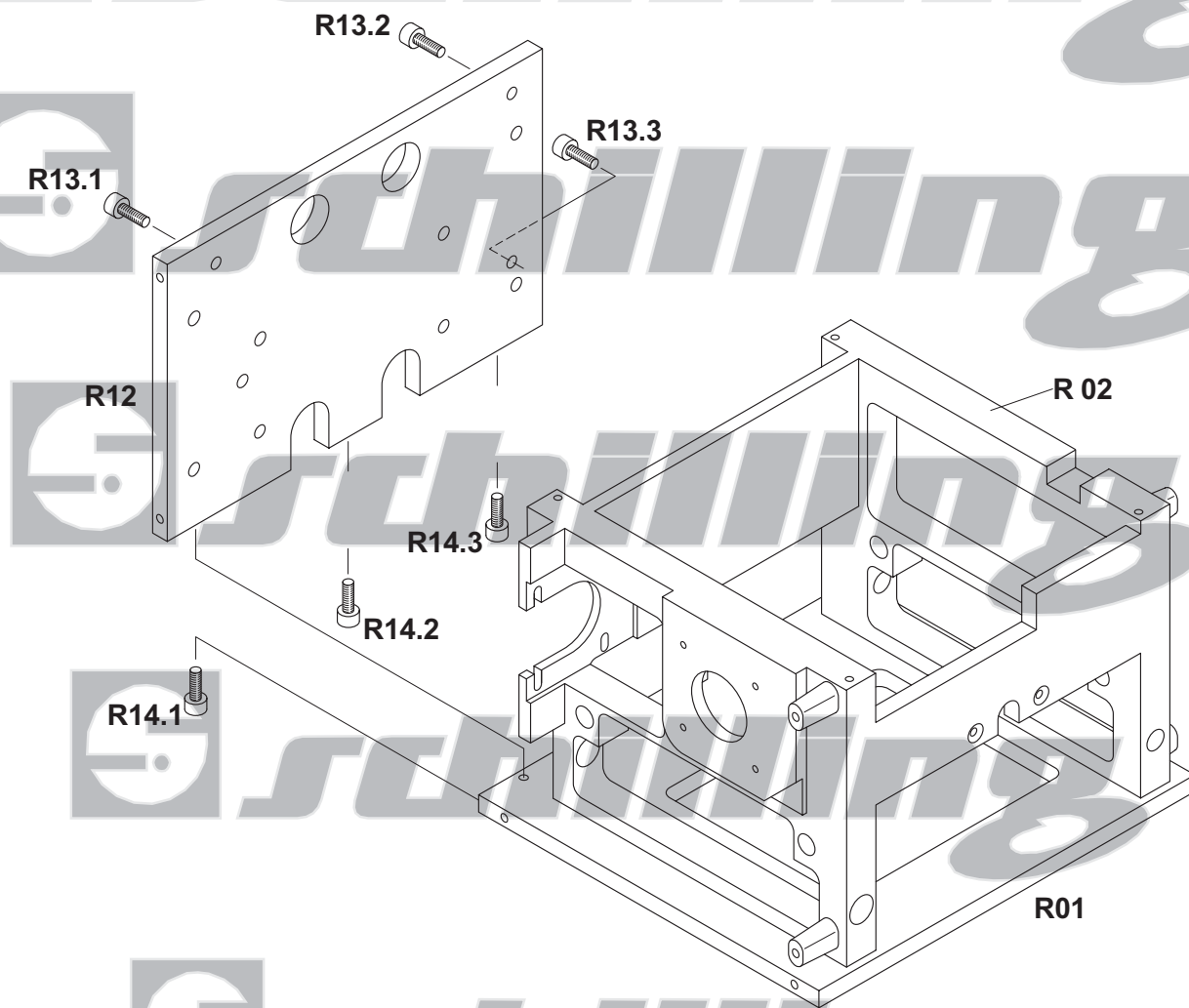



**R1**



 *schilling*

 *schilling*



 *schilling*

 *schilling*

 *schilling*

 *schilling*

**R2**

W304

W302

W309

W303

W305

W308

W307

W306.1

W301.1

W604

W603

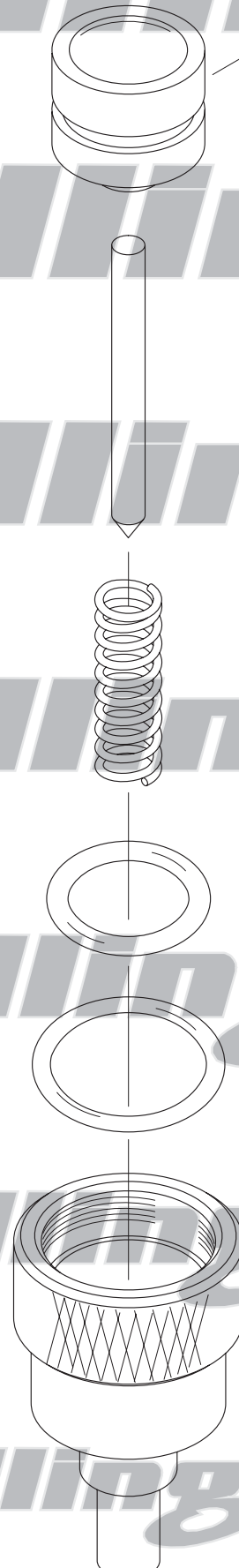
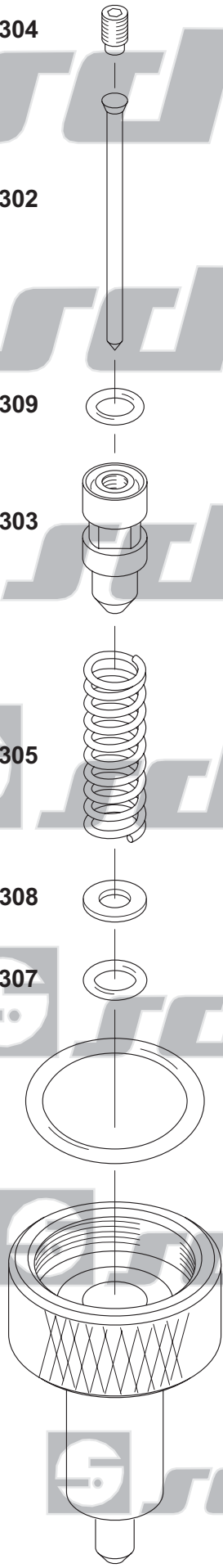
W602

W605

W607

W606

W601



# W 1

## Auslauftyp

W309

W310

W305

W308

W307

W306.1

W301.1

W610

W605

W607

W606

W601

 **Schilling**

**W 2**

Auslauftyp

W309

W310

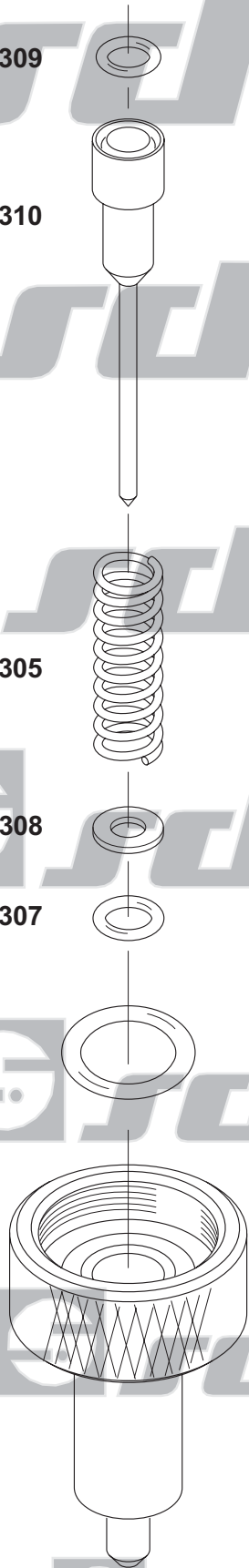
W305

W308

W307

W306.2

W301.2



**W 3**

Auslauftyp

W304

W302.S

W309.S

W303.S

W305.S

W308

W307.S

W306.S

W301.S

W604

W603.S

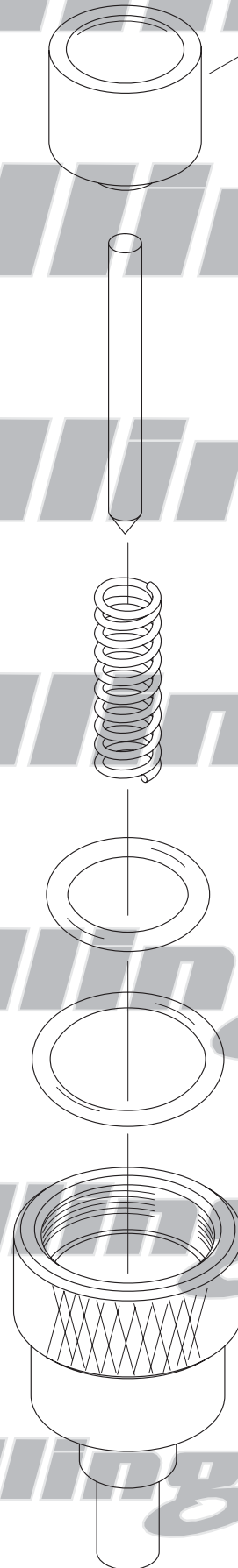
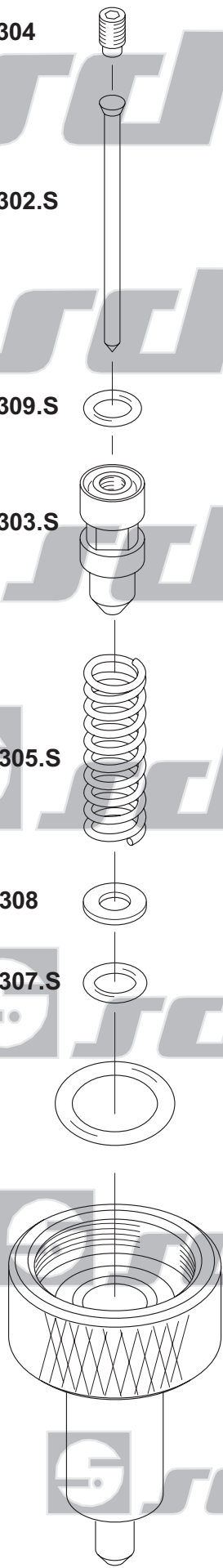
W602.S

W605.S

W607.S

W606.S

W601.S



**W S**

W304



W302.S



W309.S



W303.L



W305.L



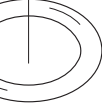
W308



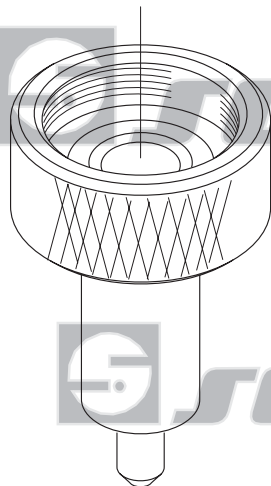
W307.S



W306.S



W301.S



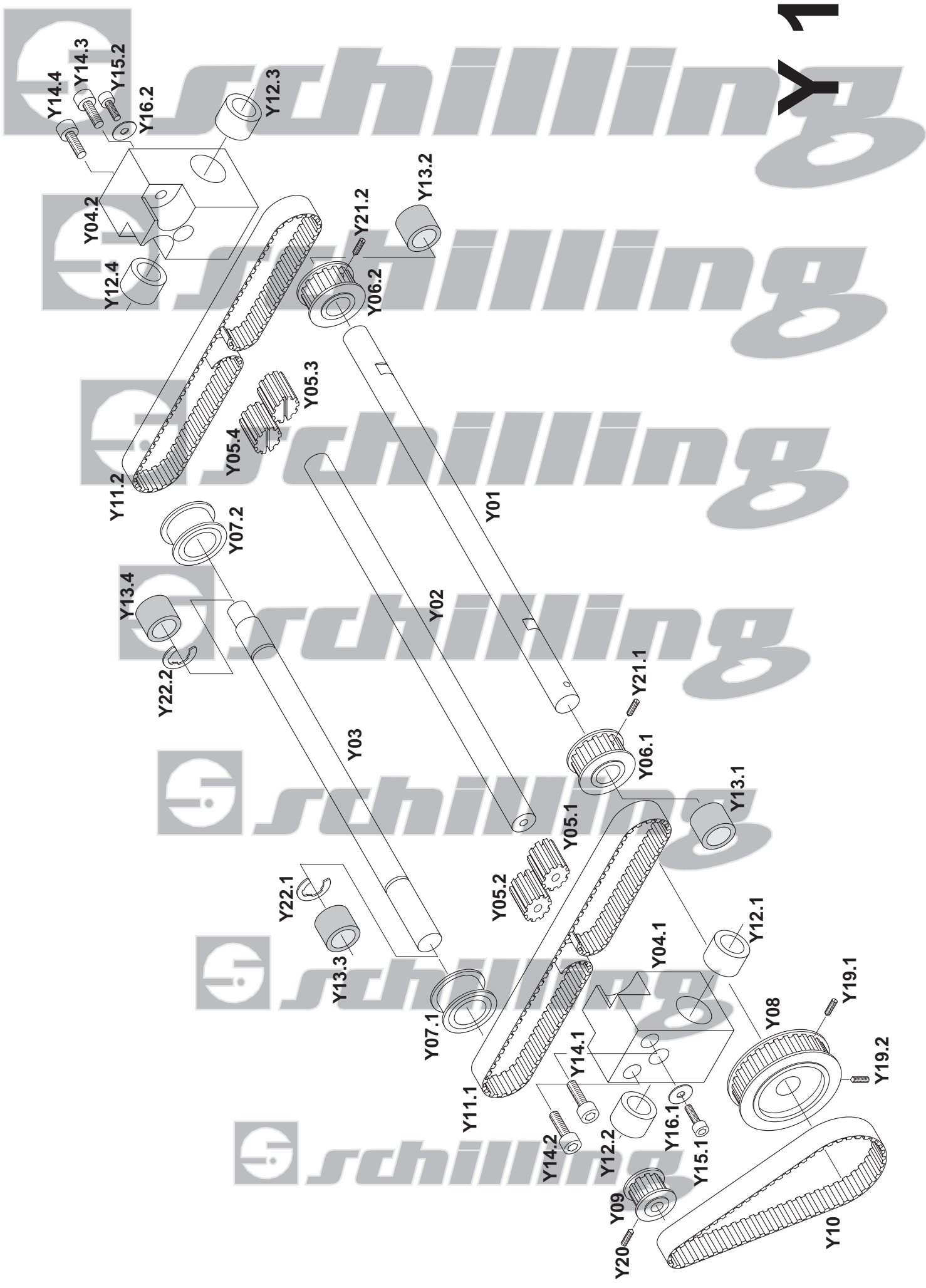
**W L**

# X1



# X2





Y1



Y2