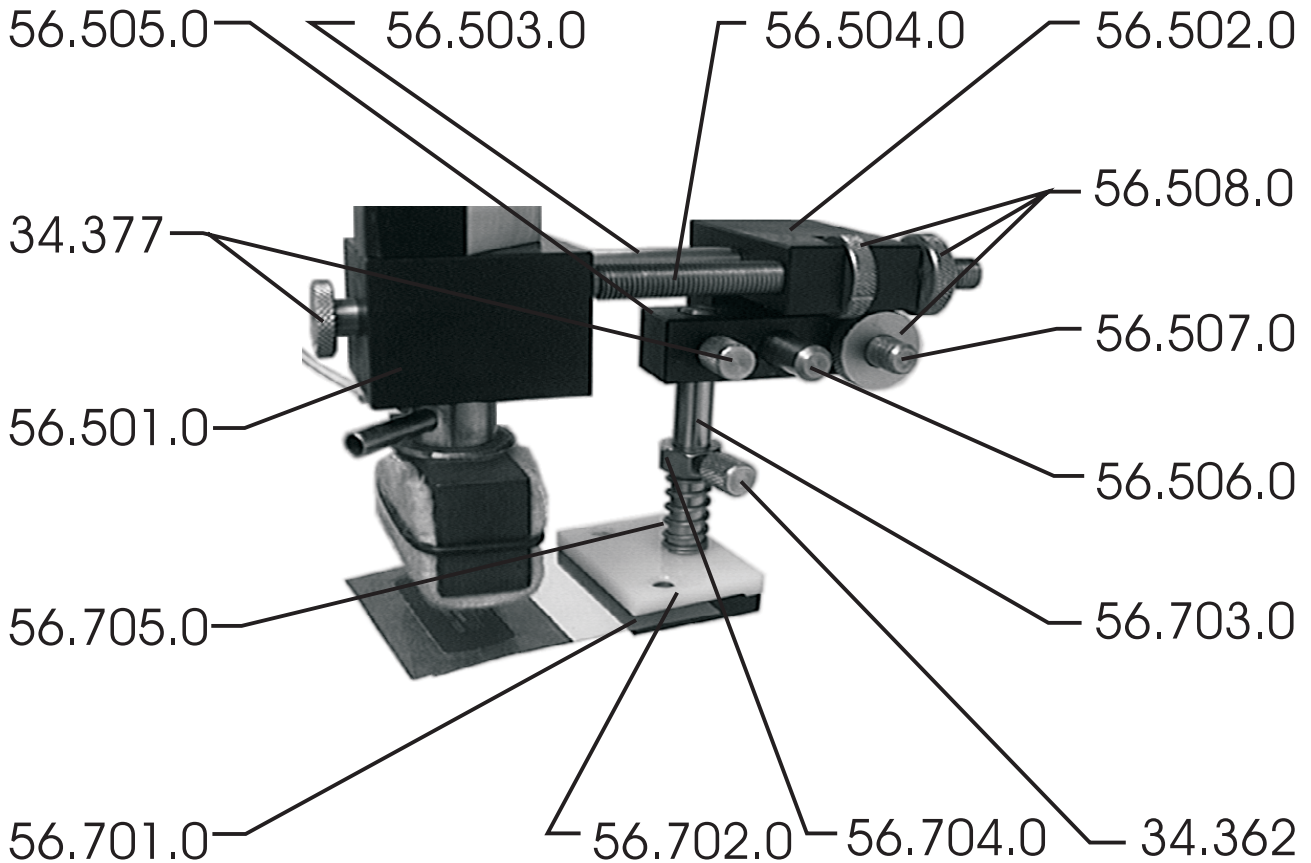




**Schilling**  
Marking Systems

**Spare parts**  
**SIGNOMAT**  
Pneumatic workholder

Stamp pick up with stencil  
adjustment and stencil holder



**56.500.0 Stamp pick up with stencil adjustment complete**

- 56.501.0 Stamp pick up
- 56.502.0 X Slide
- 56.503.0 X Guide rod D 8x130mm
- 56.504.0 X Thread rod M8x1 130mm length
- 56.505.0 Y Slide
- 56.506.0 Y Guide rod D 8x55mm
- 56.507.0 Y Thread rod M8x1 55mm length
- 56.508.0 Knurled nuts M8x1 (18x5mm)
- 34.377 Knurled screw M4x12mm

**56.700.0 Stencil holder complete**

- 56.701.0 Stencil holder 2-holes
- 56.702.0 Clamp piece for stencil holder
- 56.703.0 Vertical pin D 8x67mm
- 56.704.0 Clamping ring D 8mm
- 56.705.0 Compression spring D 10x17,5x1 mm
- 34.362 Knurled screw M3x5mm (25mm length)