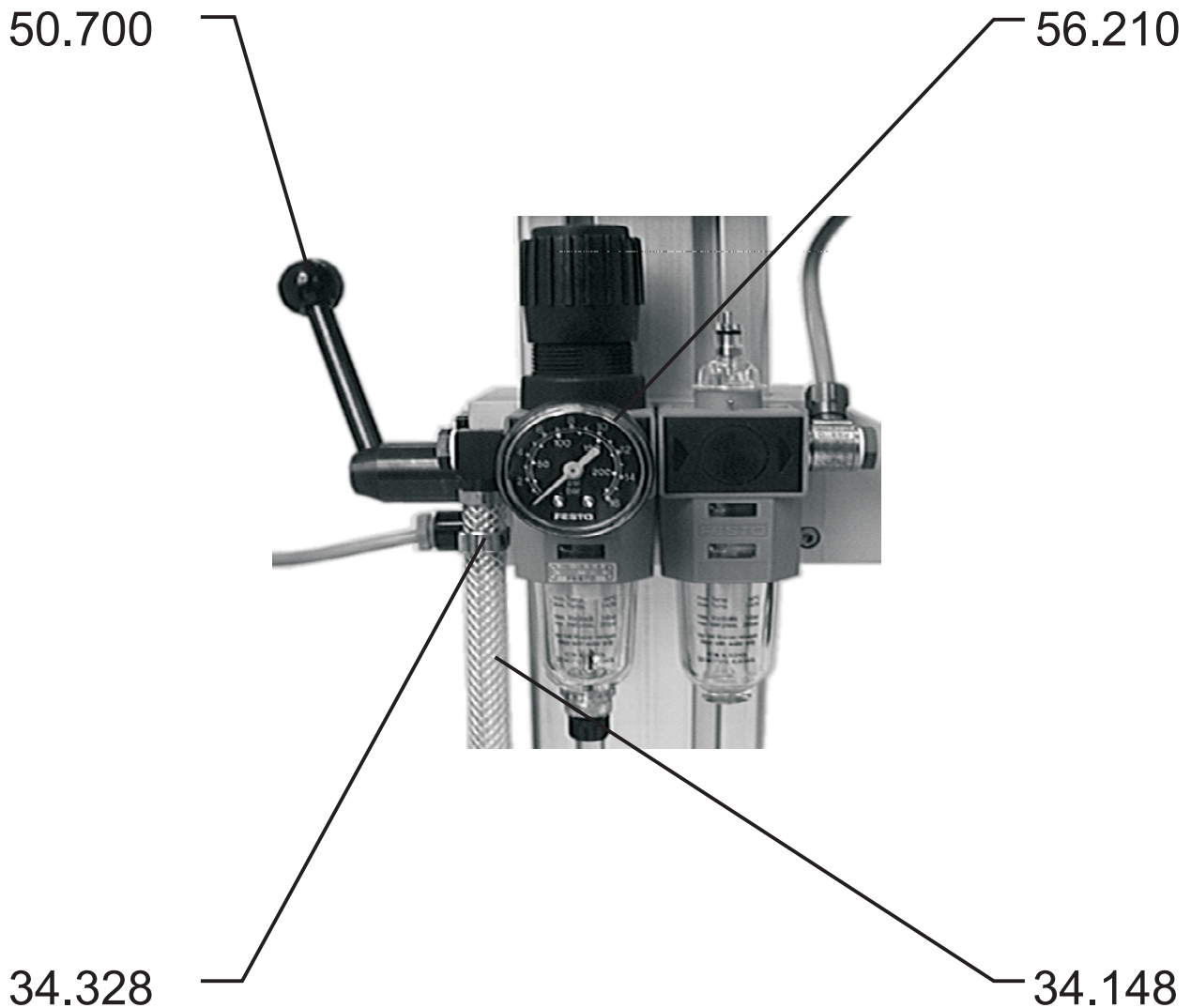




**Schilling**  
Marking Systems

Spare parts  
**SIGNOMAT**  
Pneumatic workholder

### Maintenance unit



34.148 Synthetic fabric tube 2,5m  
D 6x3mm

34.328 Tube clamp

50.700 Tensioning lever M8

56.210 Combi-maintenance unit  
with manometer