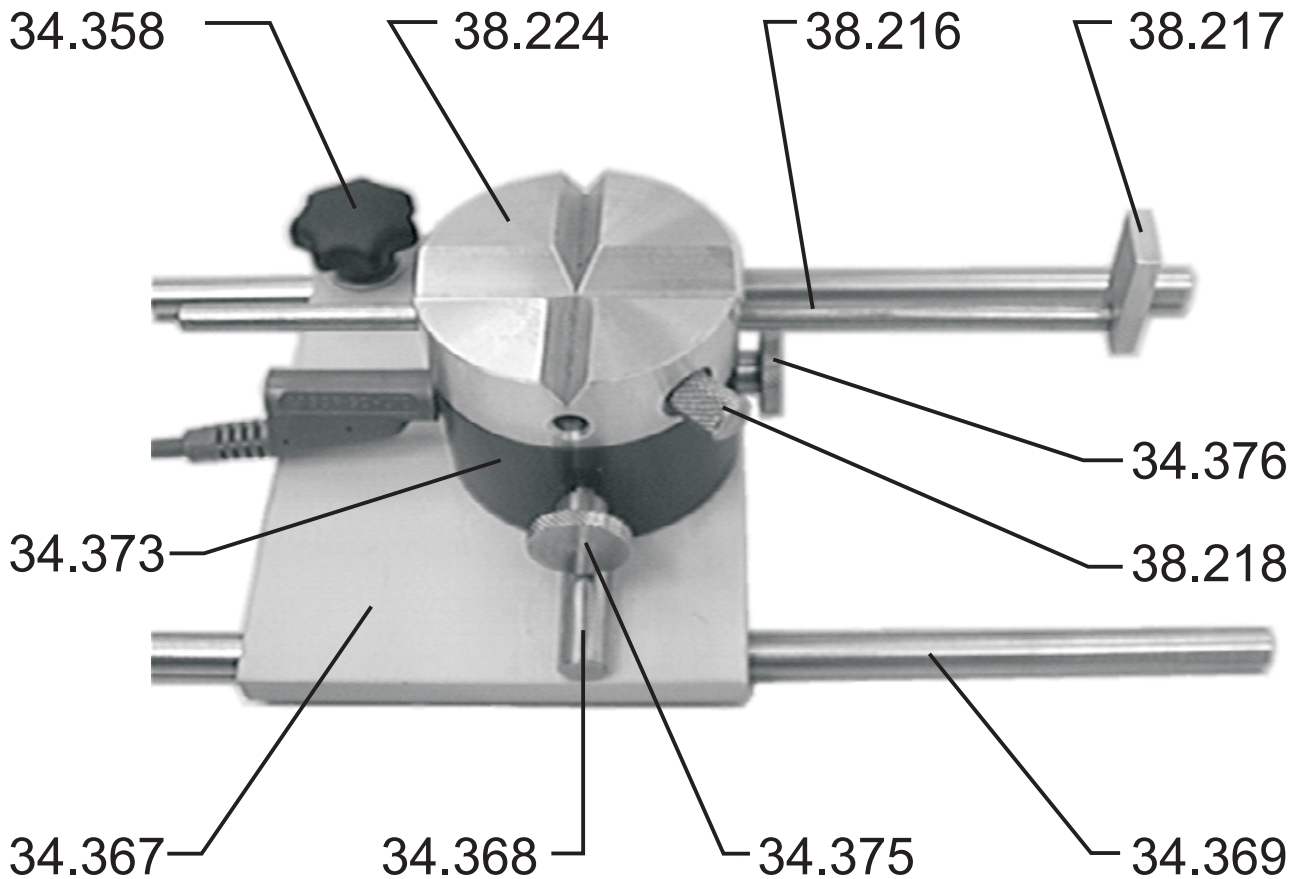




Schilling
Marking Systems

Spare parts
SIGNOMAT
Pneumatic workholder

Cross table and marking head



34.369 Guide rail 200 mm

34.841 Cross table complete:

34.358 Locking screw

34.367 Cross table

34.368 Guide rail 110 mm

34.833 Marking head complete:

34.373 Marking head

34.375 Knurled screw with centre

34.376 Knurled screw

38.806 Prisma fixture 60/90 degrees:

38.216 Stop rod for prisma fixture

38.217 Stop for prisma fixture

38.218 Knurled screw for stop

38.224 Prisma fixture D 50mm

38.816 Fixture setted down complete:

38.216 Stop rod for prisma fixture

38.217 Stop for prisma fixture

38.218 Knurled screw for stop

38.816.1 Fixture setted down milled part